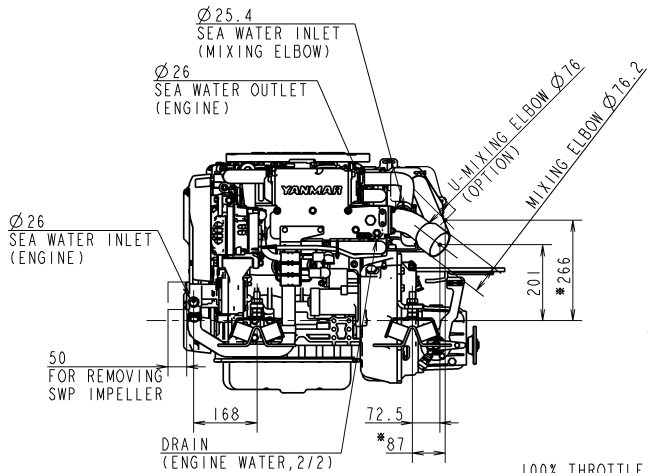
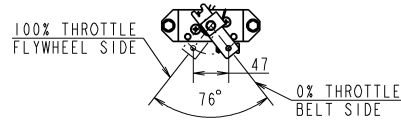
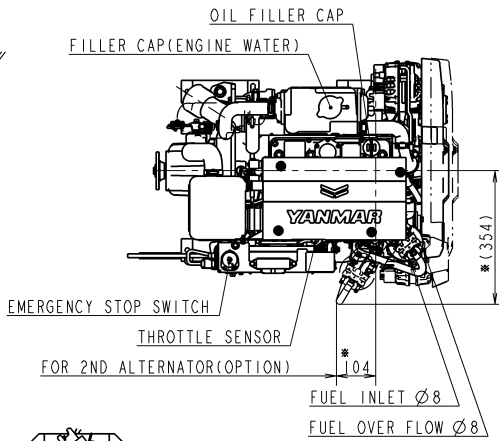


CAREER

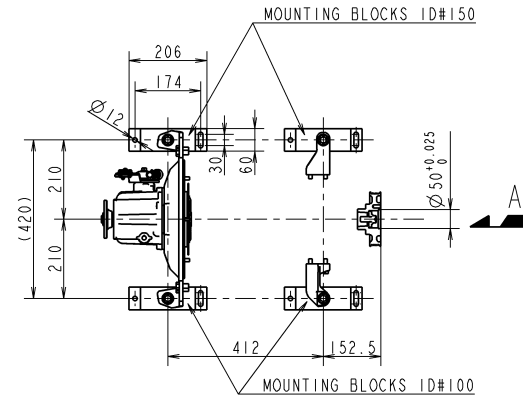
REV.1(2018.3.20) CHANGE TOP COVER AND BELT COVER (YDSBD-18002)



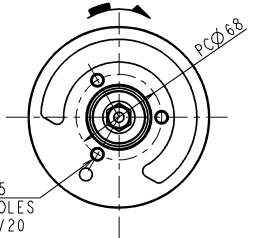
ARROW C



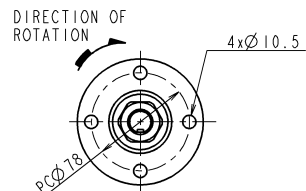
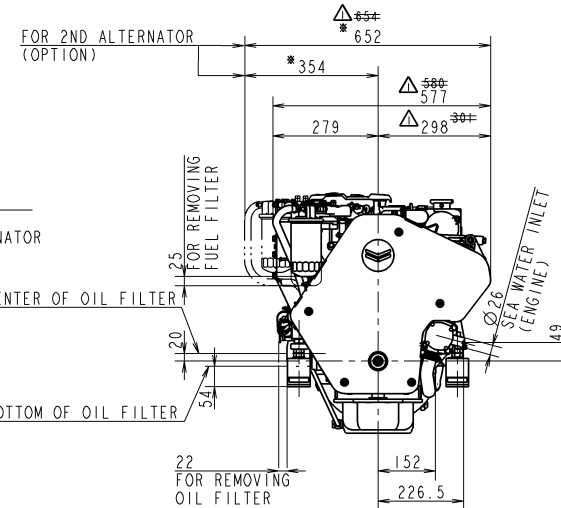
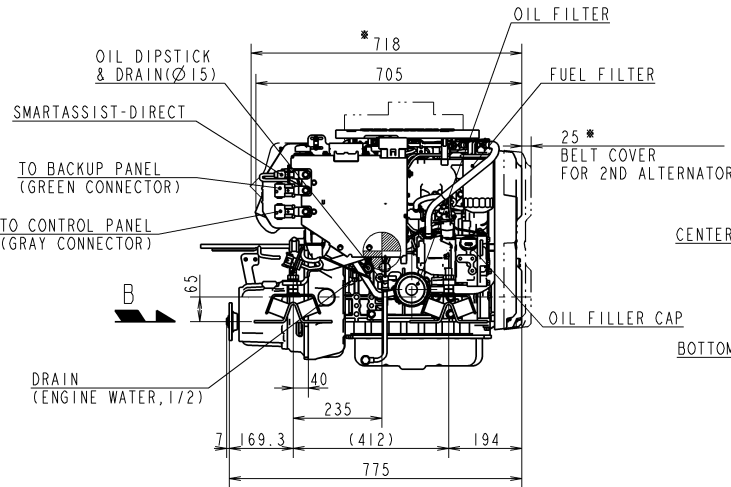
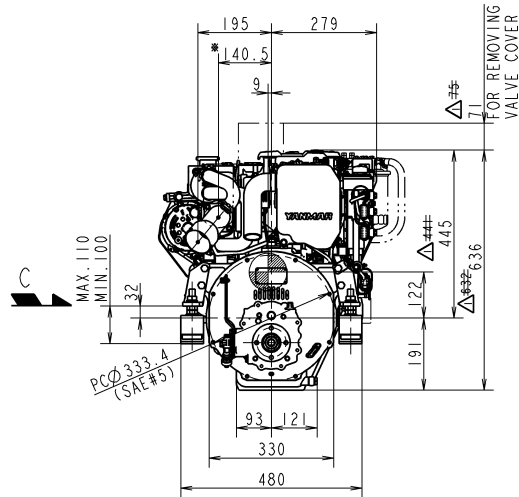
THROTTLE SENSOR SCALE 1:5



DIRECTION OF ROTATION (ENGINE)



DETAIL OF PULLEY SCALE 1:3 ARROW A



DETAIL OF FLYWHEEL SCALE 1:3 ARROW B

NOTE

1. MOUNTING BLOCKS ARE COMPRESSED ABOUT 4mm BY ENGINE WEIGHT.
2. DIMENSIONS OF MOUNTING BLOCK IN THIS DRAWING ARE WITHOUT ANY DEFORMATION.
3. THE FIGURES MARKED WITH * SHOW THE DIMENSIONS WITH U-MIXING ELBOW OR OPTIONAL PARTS.
4. ϕ SHOWS THE CENTER OF GRAVITY.

SPECIFICATIONS

Model	3JH40	
Continuous Power(ISO 8665)	kW/min ⁻¹	26.8 / 2907
Fuel Stop Power	Propeller shaft(ISO 8665)	kW/min ⁻¹
	Crankshaft(ISO 8665)	kW/min ⁻¹
Reduction ratio	2.36 / 2.61	---
Dry mass	kg	Approx.204
Direction of Crankshaft rotation	Counter-clockwise	

量産用 FOR MASS PRODUCTION

MANAGER

山口

SEC. MANAGER 北本	MODEL 3JH40	QTY -	SCALE 1:10
CHECKED 北本	SPECIALIST	MATERIAL	
DESIGNED K.SHIGA	DATE: Y.M.D 2017.4.10	OUTLINE, 3JH40-KM35P	
<p>YANMAR</p> <p>YANMAR CO., LTD. DEVELOPMENT DIV.</p>			<p>CODE B2-29272-0030</p> <p>DRAW SIZE A2</p>