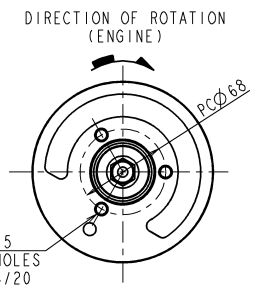
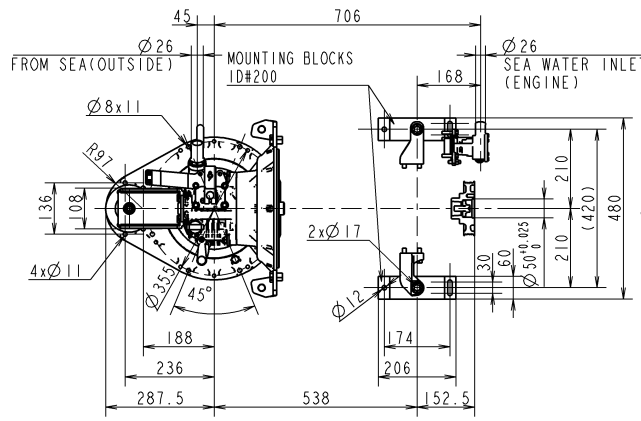
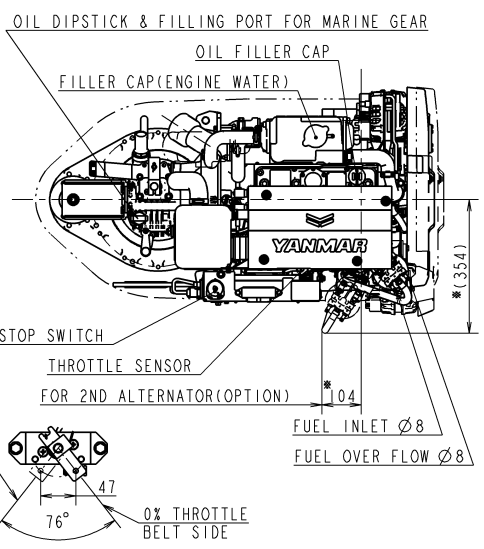
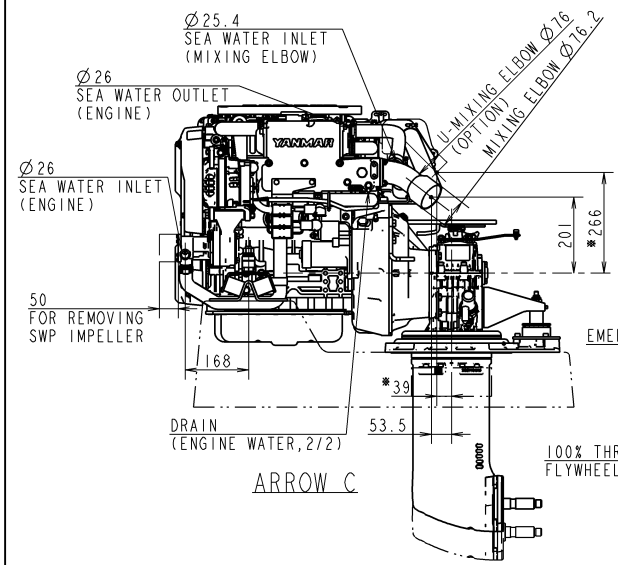
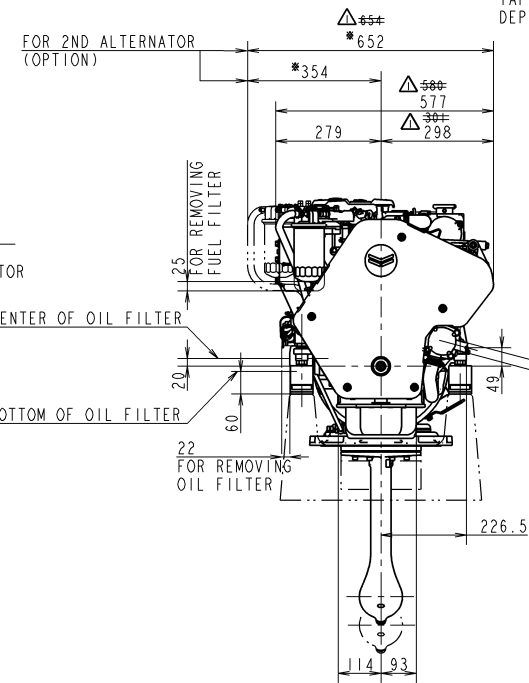
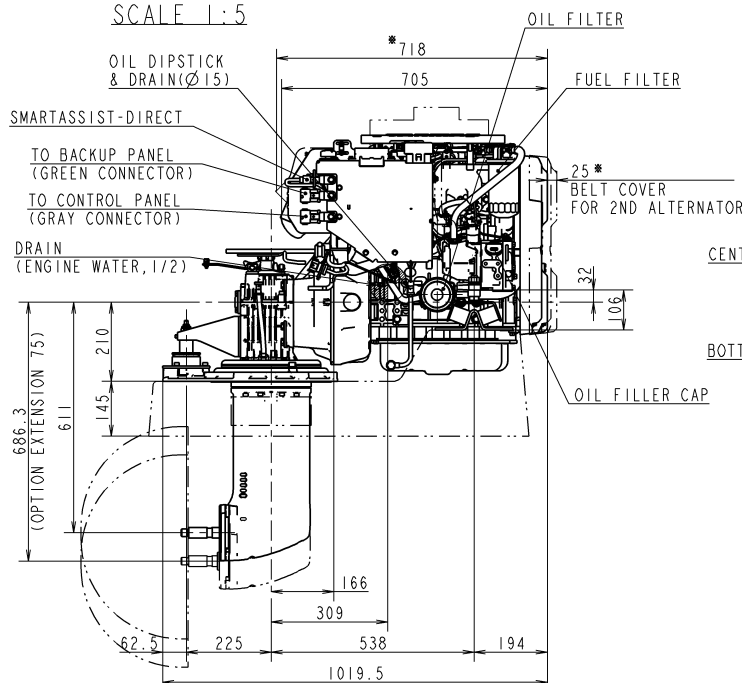
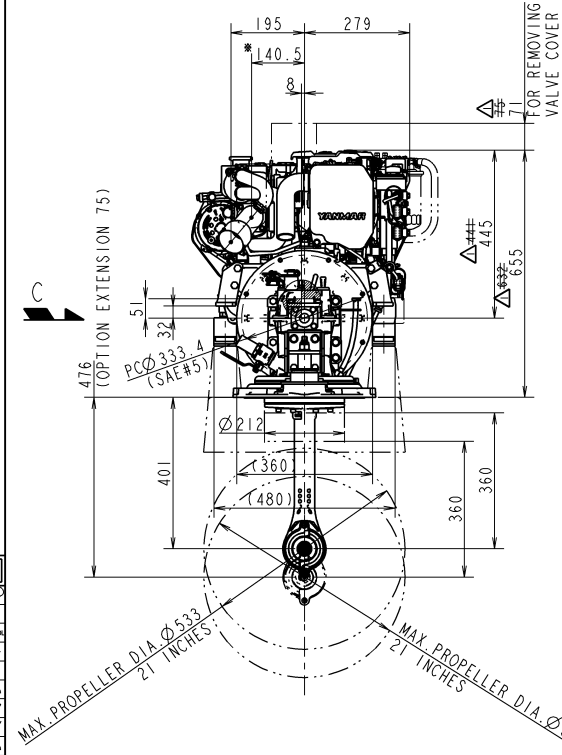
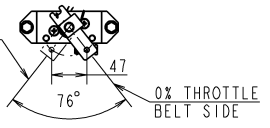


CAREER

REV.1(2018.3.20) CHANGE TOP COVER AND BELT COVER (YDSBD-18002)



THROTTLE SENSOR SCALE 1:5



DETAIL OF PULLEY SCALE 1:3 ARROW A

量産用 FOR MASS PRODUCTION

- NOTE
1. MOUNTING BLOCKS ARE COMPRESSED ABOUT 4mm BY ENGINE WEIGHT. DIMENSIONS OF MOUNTING BLOCK IN THIS DRAWING ARE WITHOUT ANY DEFORMATION.
 2. MOUNTING BLOCKS ARE EQUIPPED FOR STANDARD ACCESSORY.
 3. THE FIGURES MARKED WITH * SHOW THE DIMENSIONS WITH U-MIXING ELBOW OR OPTIONAL PARTS.
 4. ○ SHOWS THE CENTER OF GRAVITY.

SPECIFICATIONS			
Model	3JH40		
Continuous Power (ISO 8665)	kW/min ⁻¹	26.8 / 2907	
Fuel Stop Power	Propeller shaft (ISO 8665)	kW/min ⁻¹	---
	Crankshaft (ISO 8665)	kW/min ⁻¹	29.4 / 3000
Reduction ratio	2.23 2.49 ---		
Dry mass	kg	Approx. 236	
Direction of Crankshaft rotation	Counter-clockwise		

SEC. MANAGER 北本	MODEL 3JH40	SCALE 1:10	MANAGER 山口
CHECKED 北本	SPECIALIST	QTY -	MATERIAL
DESIGNED K.SHIGA	DRAWN F.KISHIDA	DATE: Y.M.D 2017.4.10	NAME OUTLINE, 3JH40-SD60
		CODE B2-29272-0050	DRAWN SIZE A2