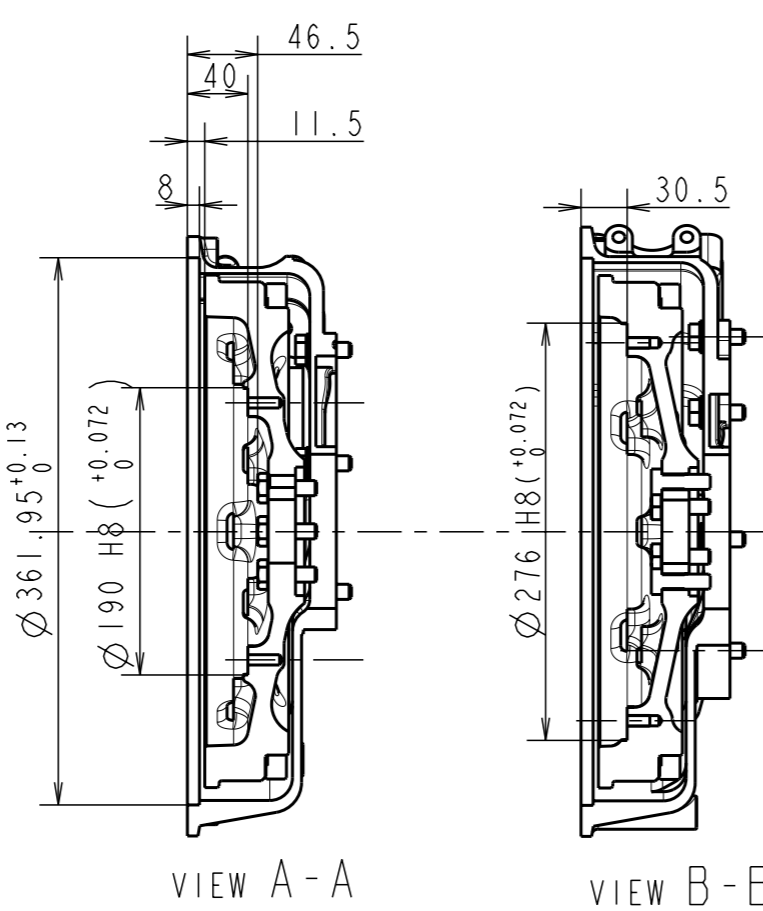
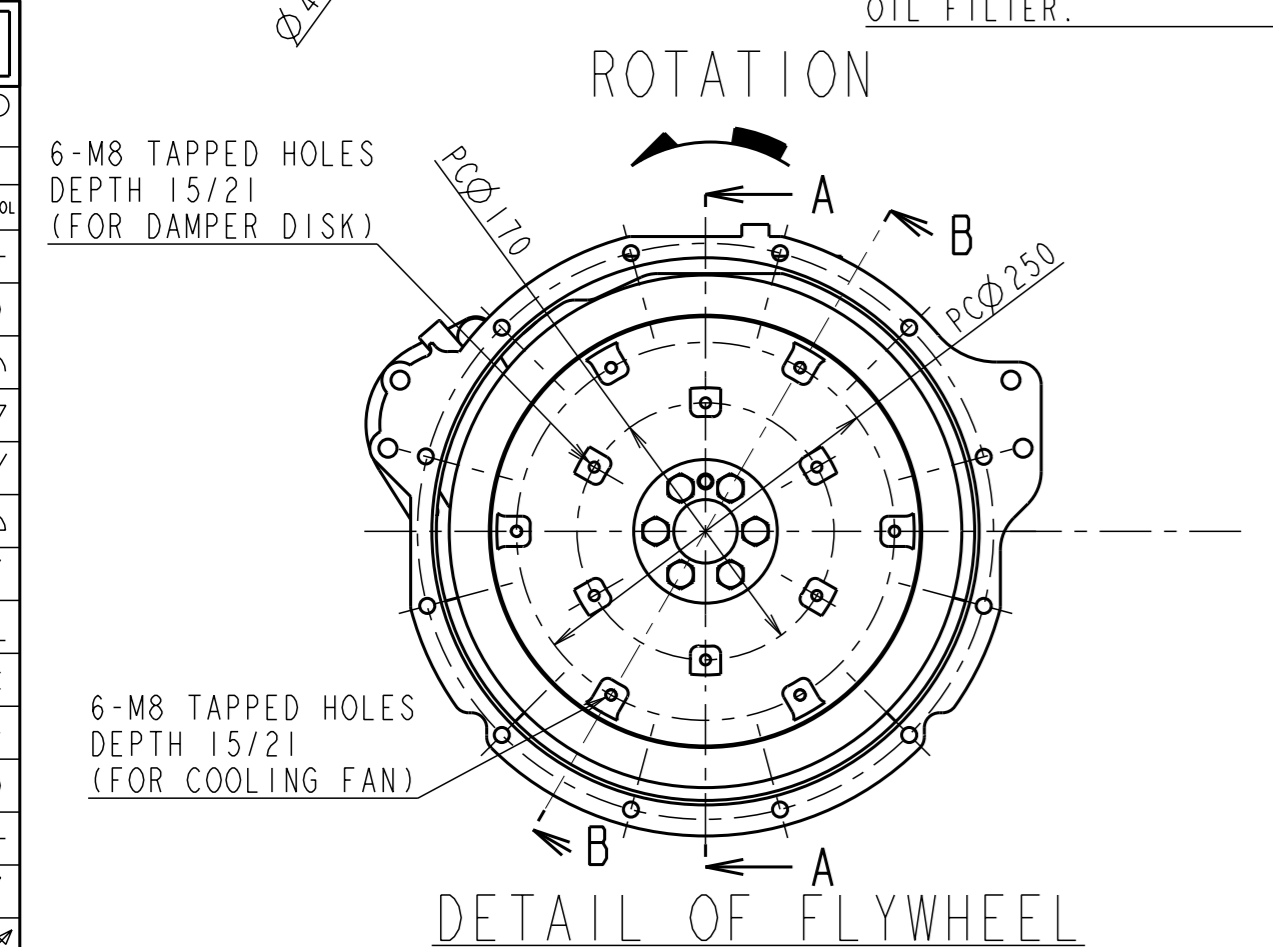
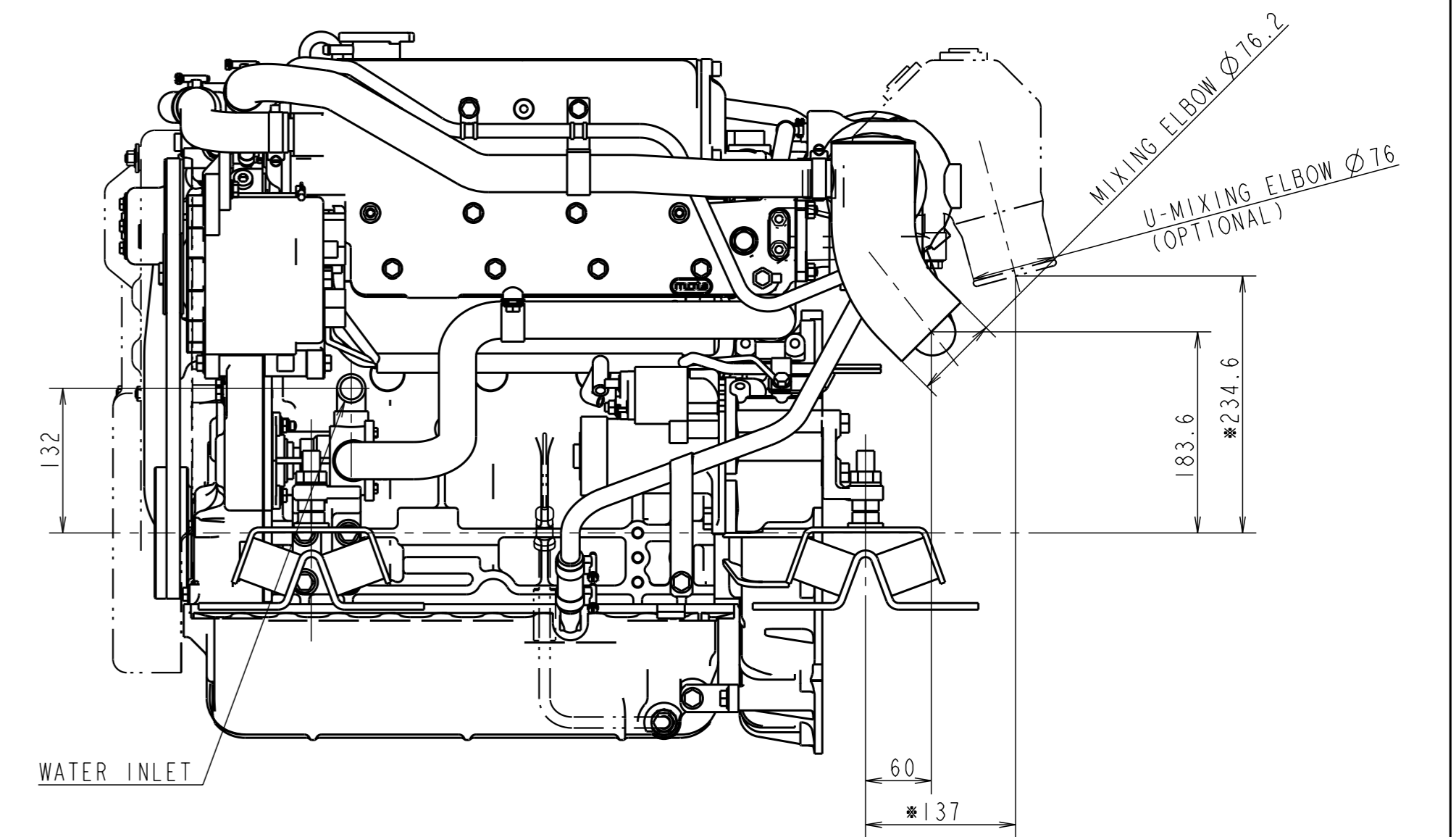
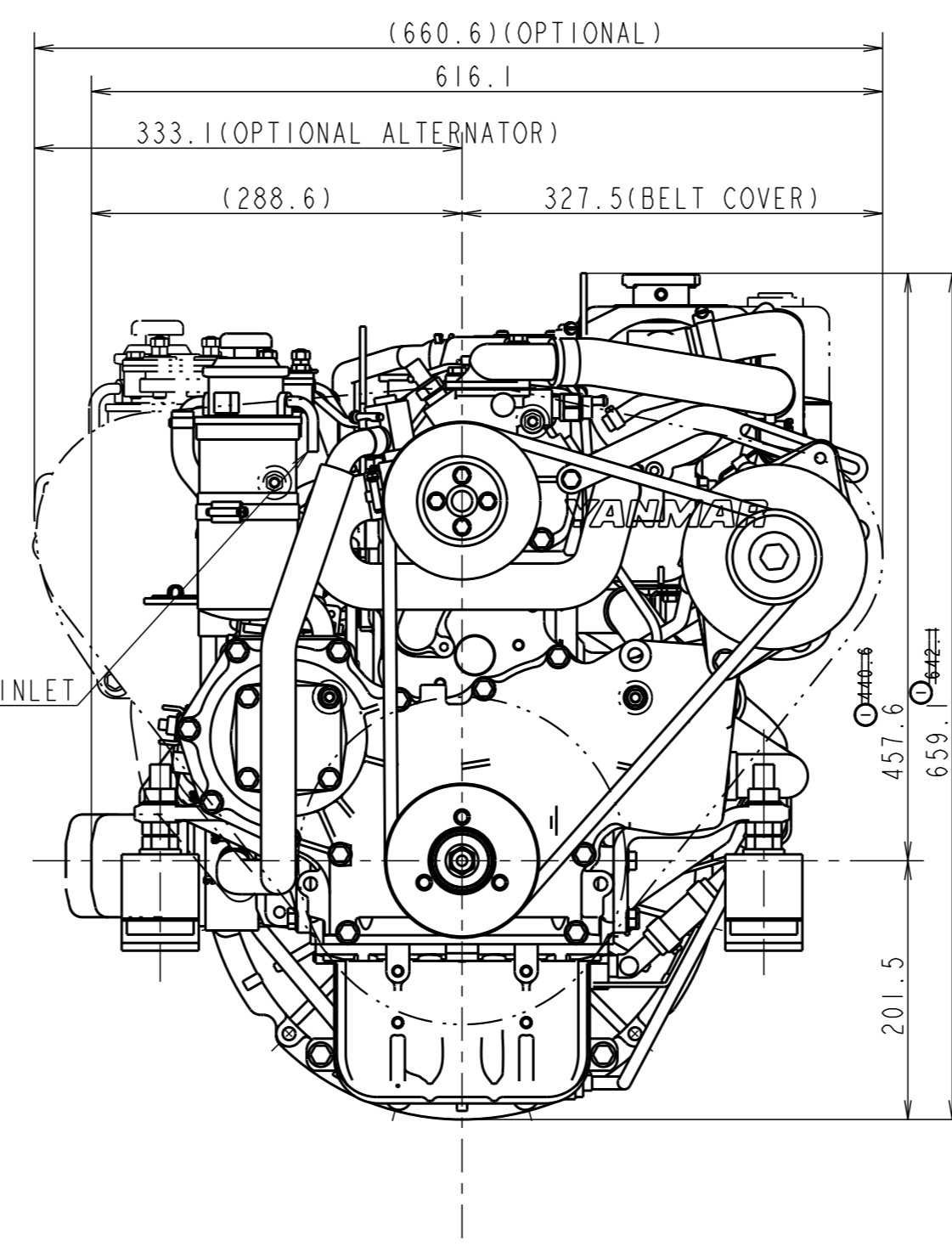
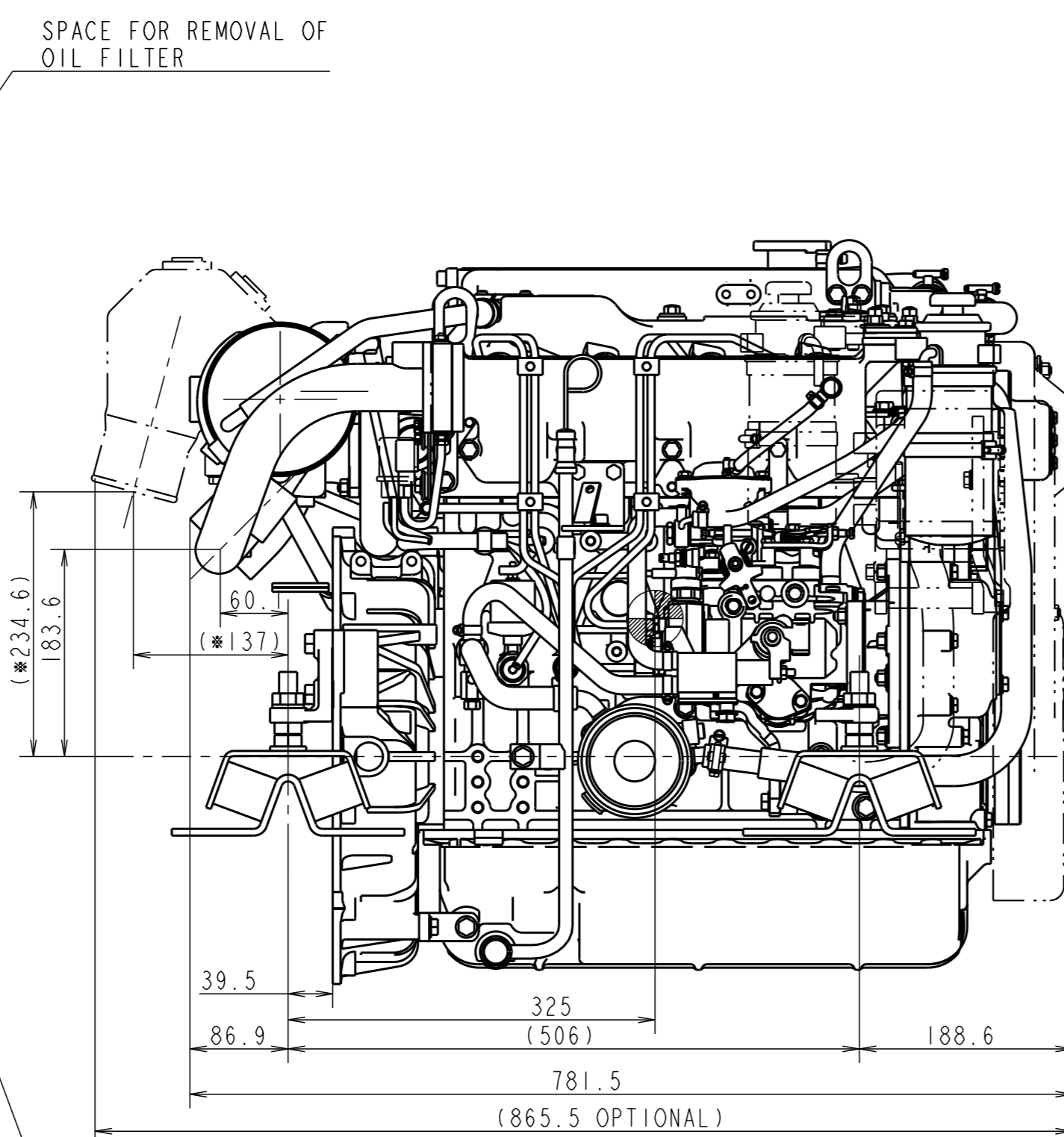
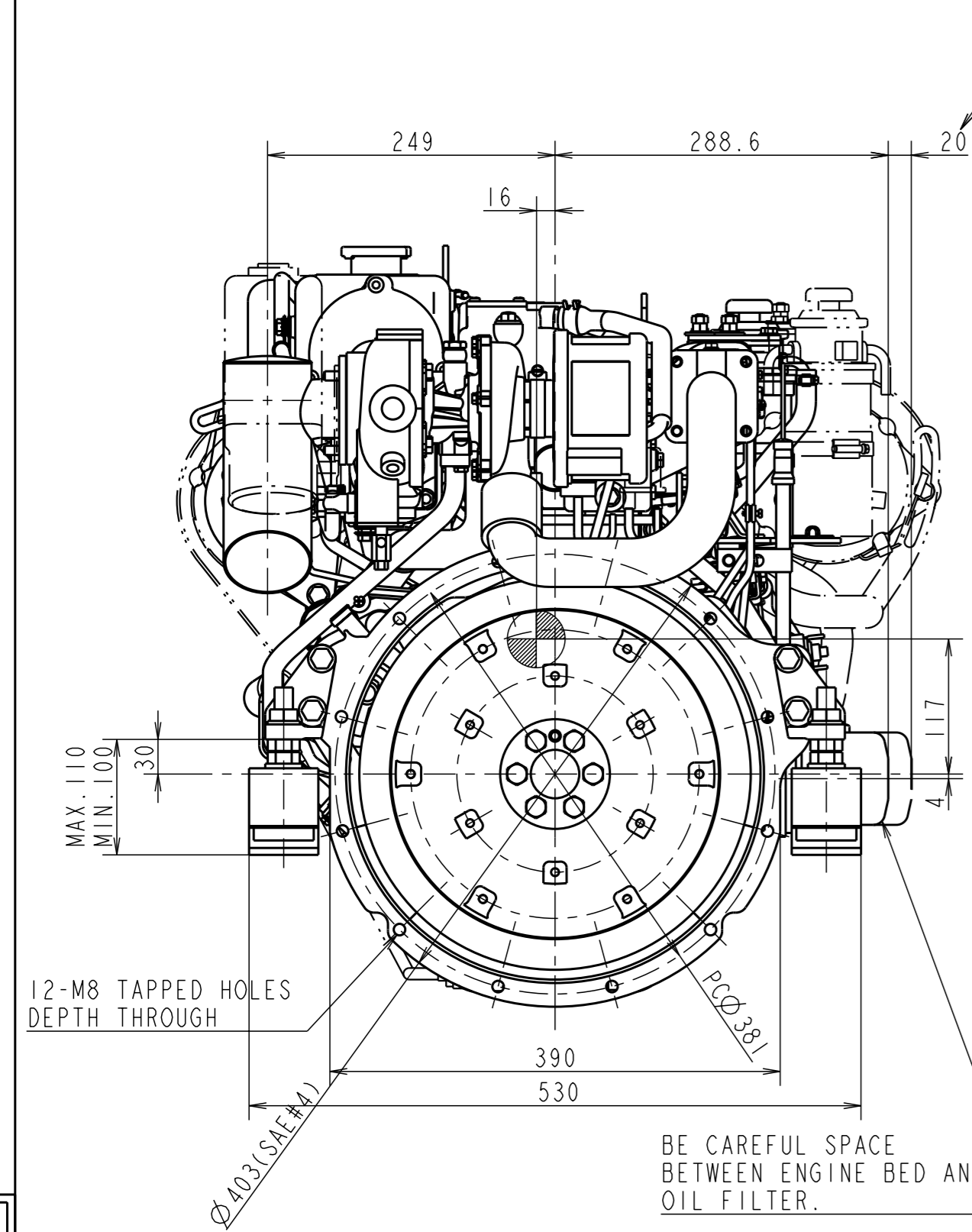
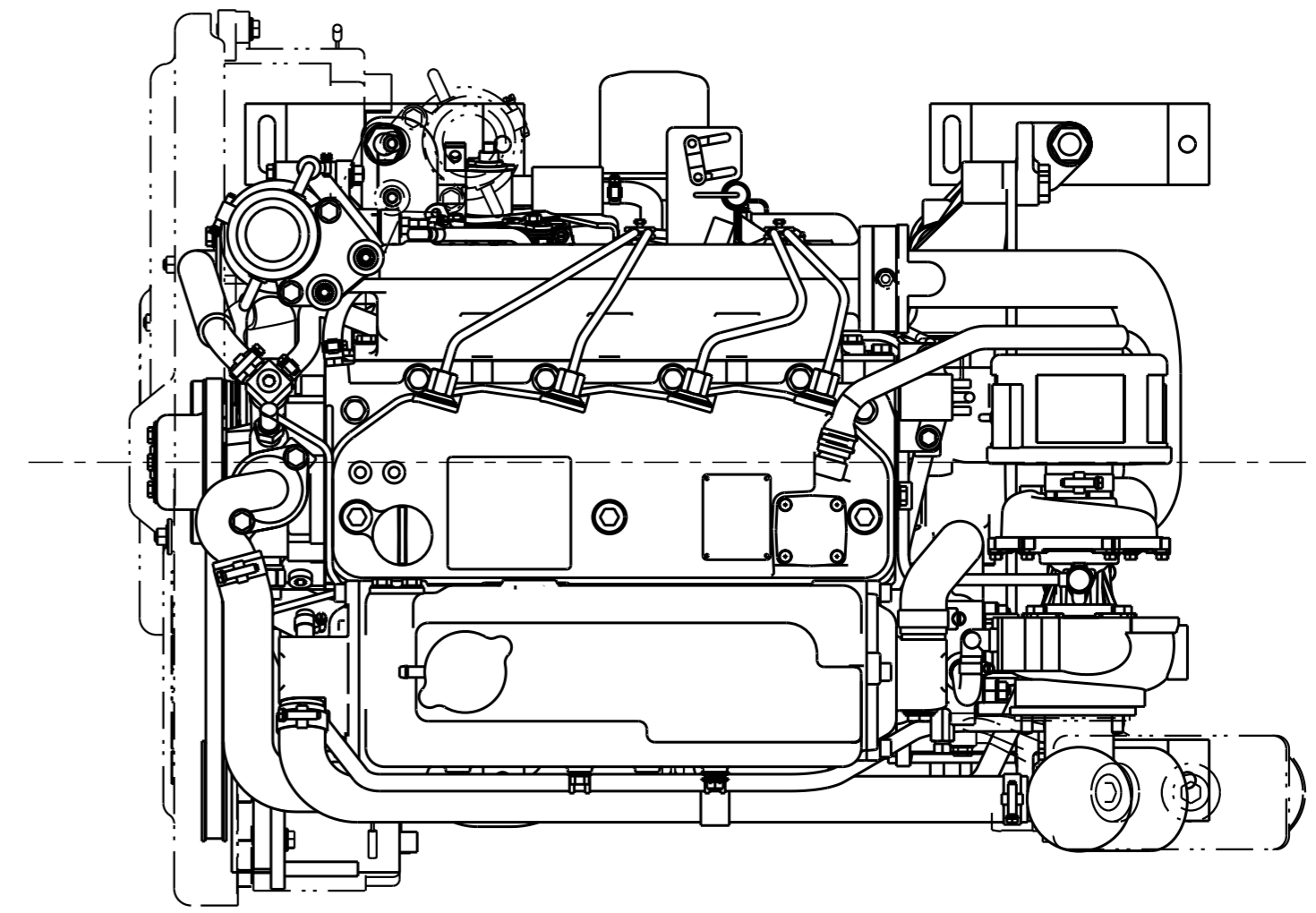
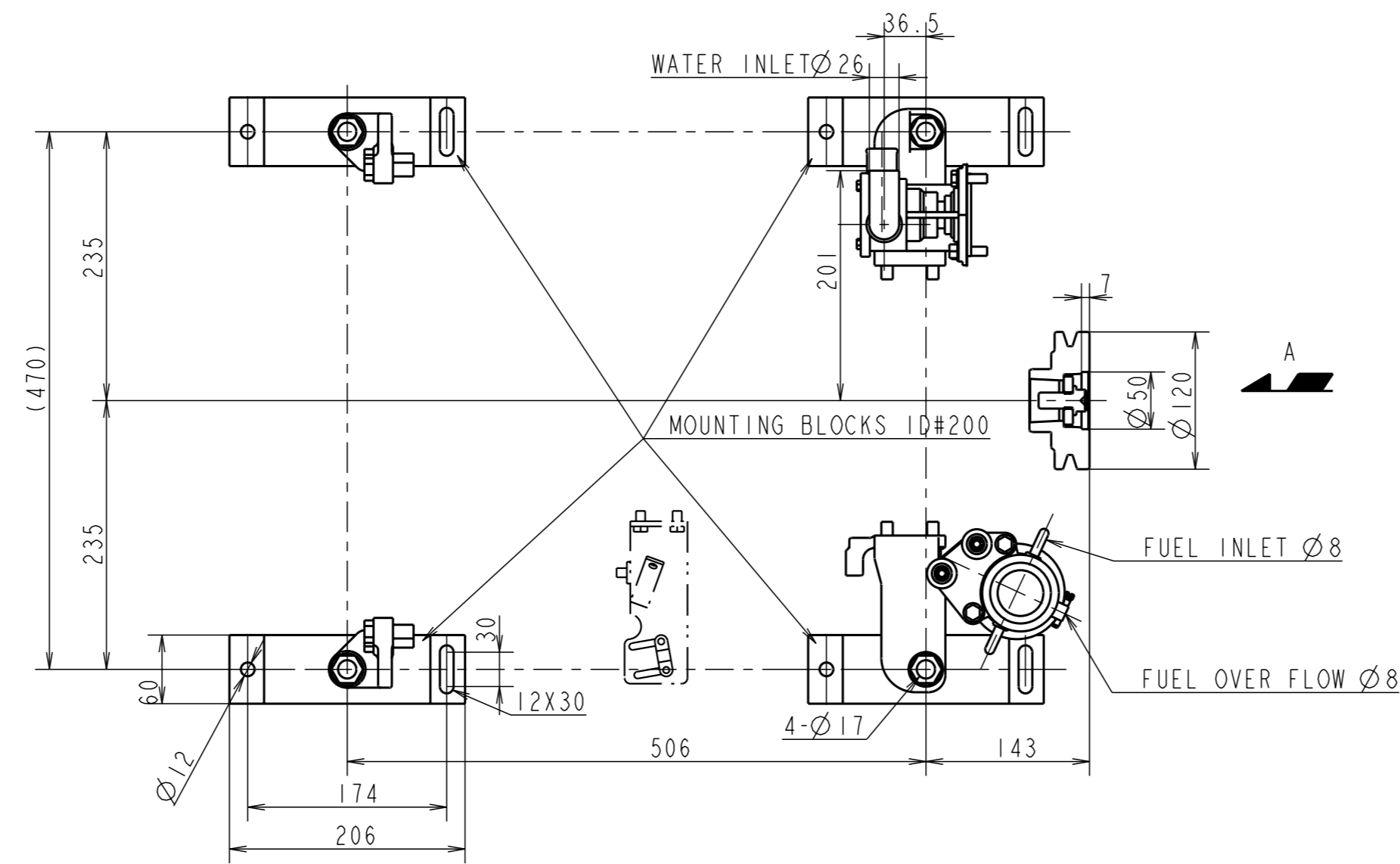
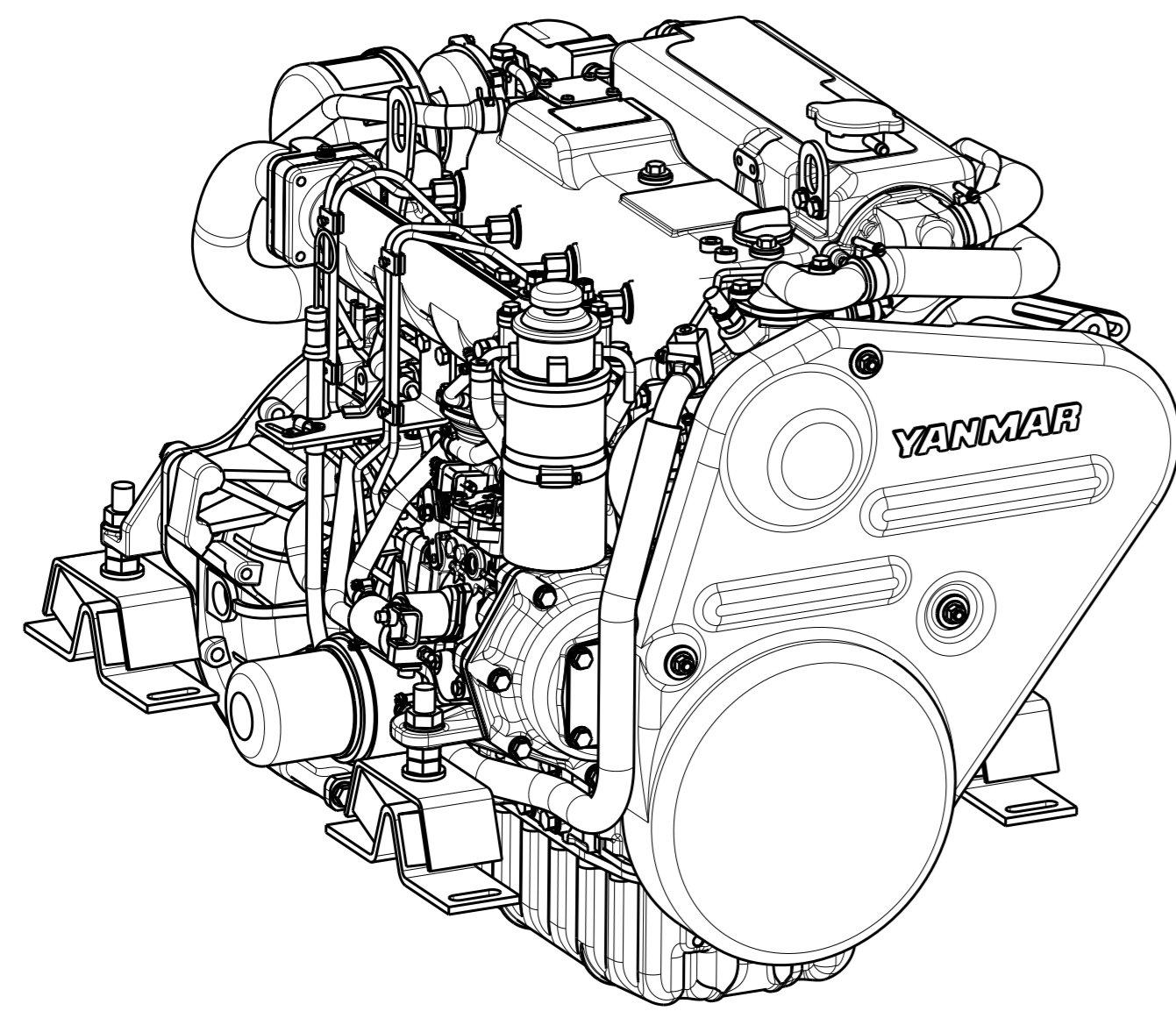
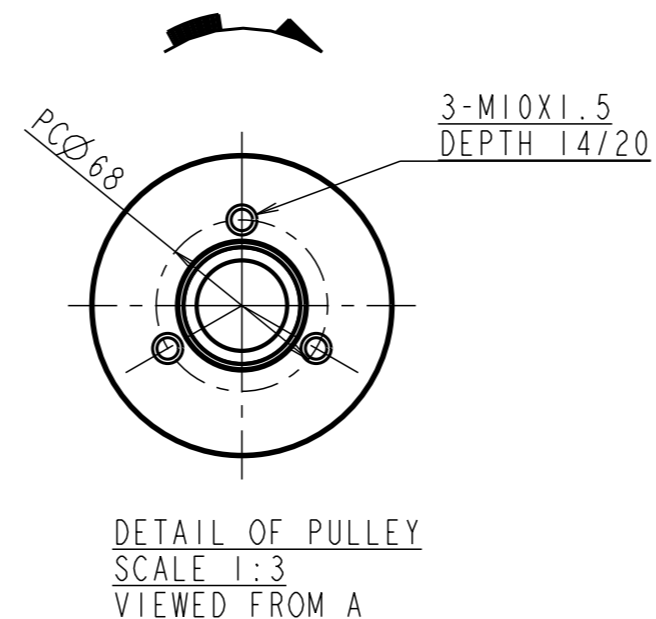


CAREER

ISSUE THE DRAWING FOR MASS PRODUCTION. (YDSBD-05003)
 REV.1 (19th, May, 2005)
 CHANGE THE OVERALL HEIGHT BY CHANGING TO THE HEAT EXCHANGER OF 4JH4-HTE (YDSBD-05004) (NISHINO)



DIRECTION OF ROTATION



NOTE
 1. DWG SHOWS MOUNTING BLOCKS AT ORIGINAL HEIGHT.
 ENGINE WEIGHT WILL COMPRESS BLOCKS BY 4MM (APPROX).
 2. MOUNTING BLOCKS ARE EQUIPPED FOR STANDARD ACCESSORY.
 3. THE FIGURES MARKED WITH * SHOW THE DIMENSIONS WITH U-MIXING ELBOW, OR OPTIONAL COUPLING.
 4. ● SHOWS THE CENTER OF GRAVITY.

SPECIFICATIONS		4JH4M-TE
Model		4JH4M-TE
Continuous Power (ISO 8665)	kW/min ⁻¹	50.2/3101
Fuel Stop Power	Propeller shaft (ISO 8665) kW/min ⁻¹	---
	Crankshaft (ISO 8665) kW/min ⁻¹	55.2/3000
Reduction ratio		
Dry mass	kg(lb.)	Approx. 201.8(444)
Direction of Crankshaft rotation		Counter-clockwise

MANAGER		SCALE	
CHECKED	SPECIALIST	QTY	1:5 (1:3)
DESIGNED	DRAWN	DATE: Y.M.D	MATERIAL
YANMAR		4JH4-TE OUTLINE (WITHOUT MARINE GEAR)	
YANMAR CO., LTD. DEVELOPMENT DEPT.		REV. 1	B2-29671-0840

3D-CAD	
NOTICE	
GEOMETRICAL TOLERANCE	
KIND OF TOLERANCE	
STRAIGHTNESS TOLERANCE	
CIRCULARITY TOLERANCE	
PROFILE OF LINE TOLERANCE	
FLATNESS TOLERANCE	
CYLINDRICITY TOLERANCE	
PROFILE TOLERANCE OF SURFACE	
PARALLELISM TOLERANCE	
PERPENDICULARITY TOLERANCE	
ANGULARITY TOLERANCE	
POSITIONAL TOLERANCE	
COINCIDENCE TOLERANCE	
LOCATION	
FORM	
FINISH	
ROTATION	
SYMMETRY	
CONTOUR	
SCALE	
UNIT	
PROJECTION	