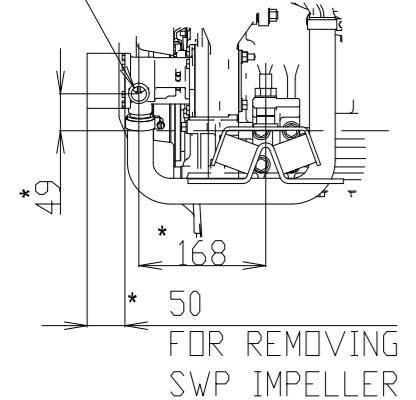
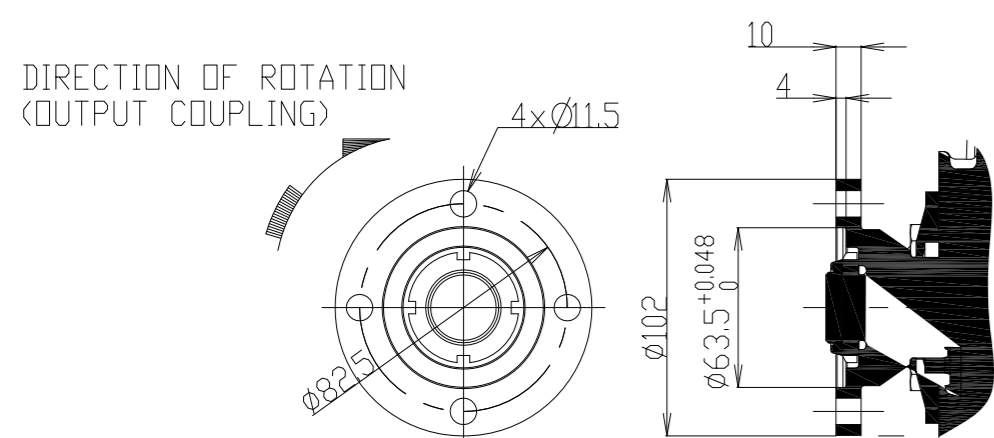
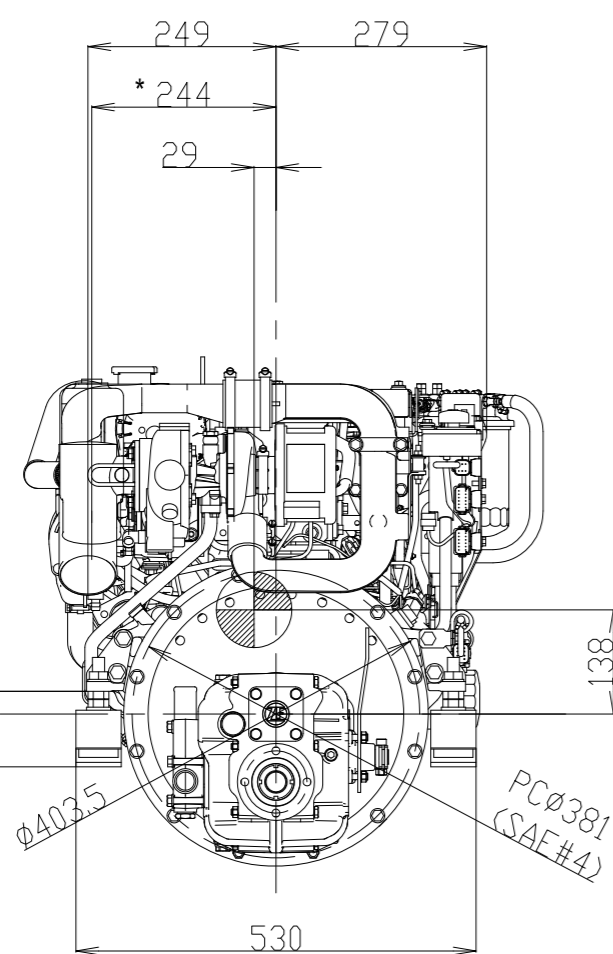


SEA WATER INLET (ENGINE) (THE SAME AS 4JH57/45)

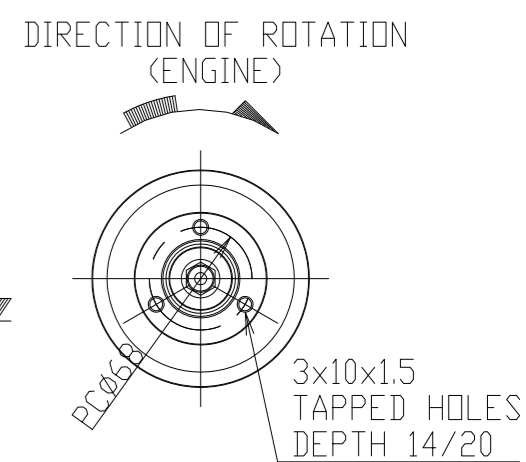
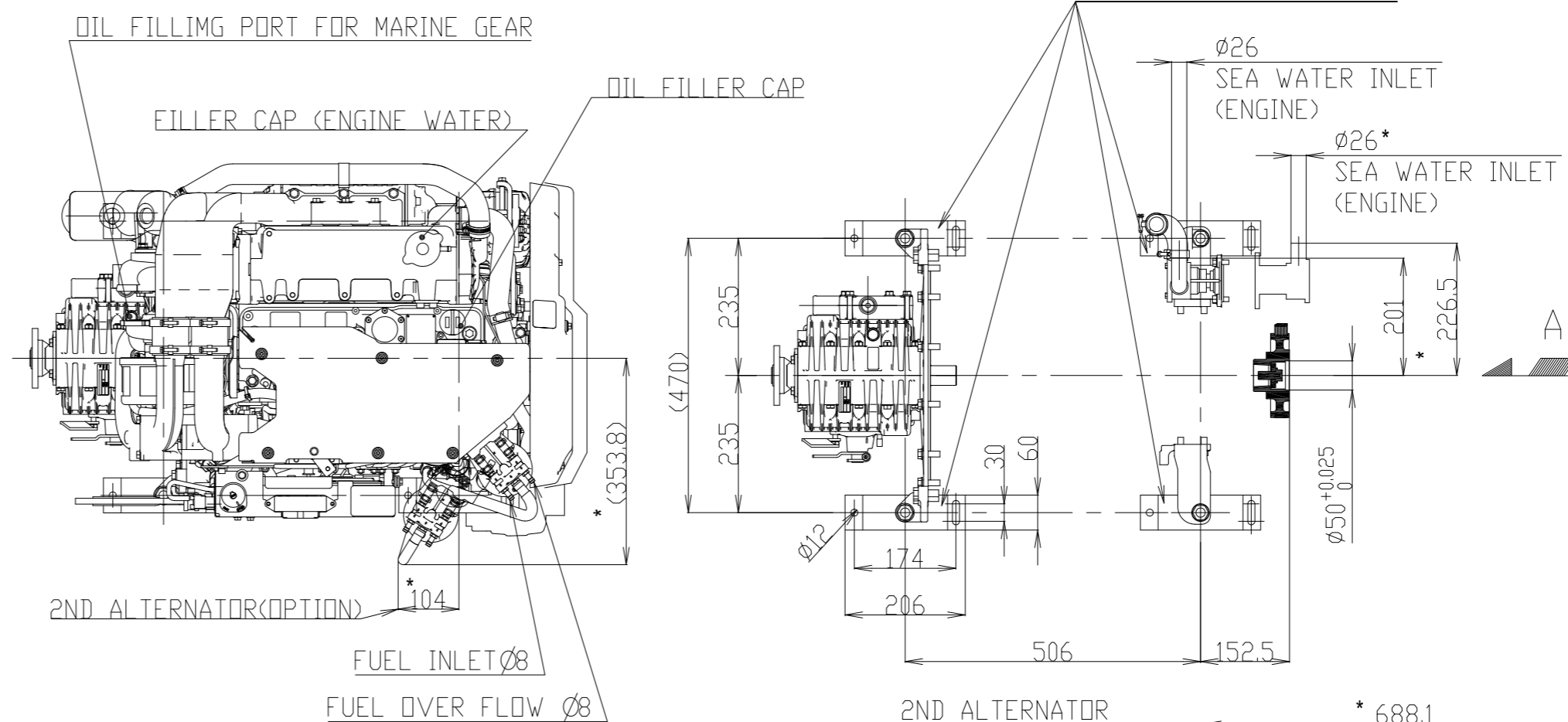


PART D FRONT MOUNT SWP (OPTION)

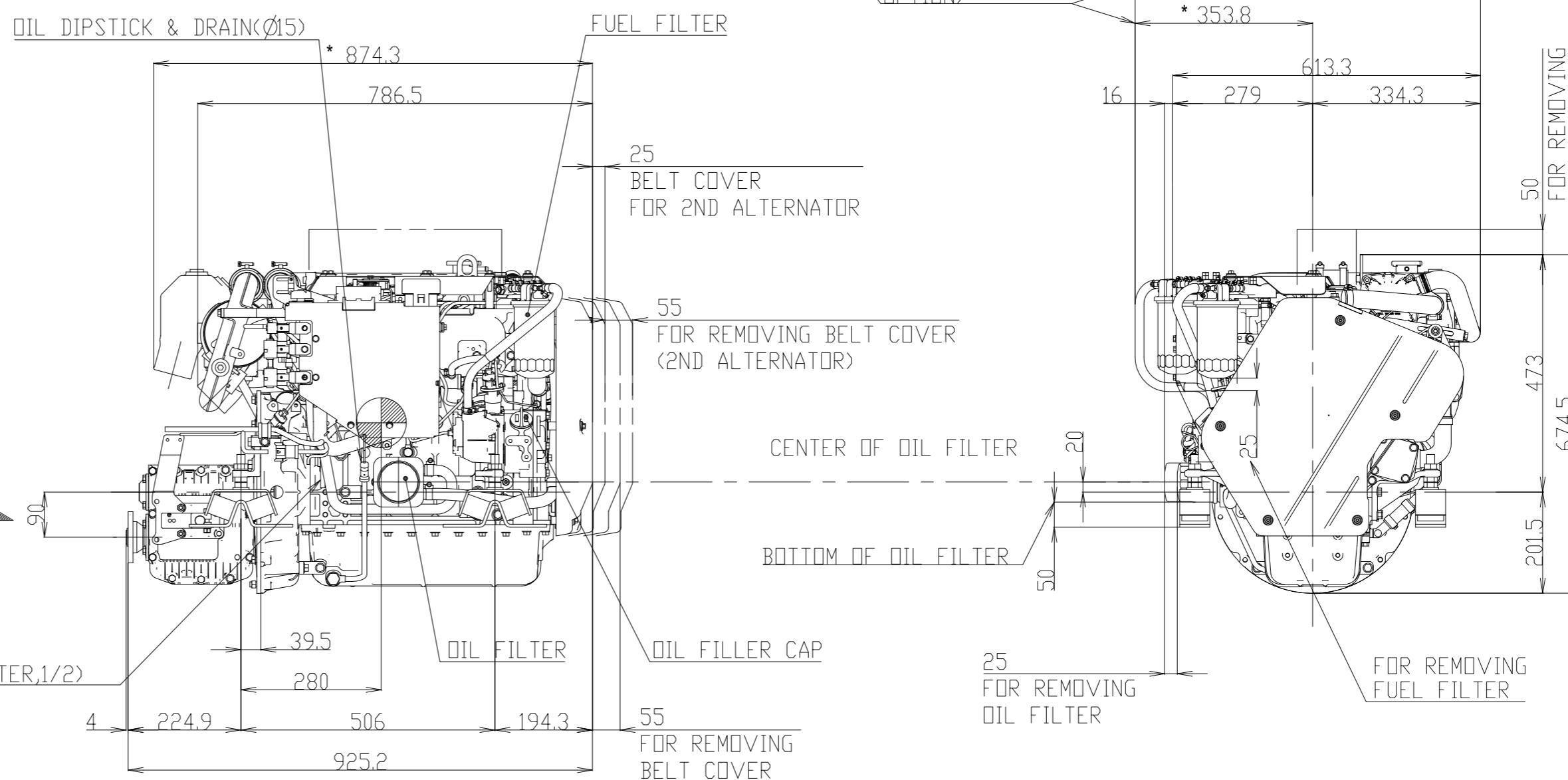
MAX.110  
MIN.100



DETAIL OF COUPLING  
SCALE 1:3  
ARROW B



DETAIL OF PULLEY  
SCALE 1:5  
ARROW A



- NOTE
- 1.MOUNTING BLOCKS ARE COMPRESSED ABOUT 4mm BY ENGINE WEIGHT. DIMENSIONS OF MOUNTING BLOCK IN THIS DRAWING ARE WITHOUT ANY DEFORMATION.
  - 2.MOUNTING BLOCKS ARE EQUIPPED FOR STANDARD ACCESSORY.
  - 3.THE FIGURES MARKED WITH \*SHOW THE DIMENSIONS WITH U-MIXING ELBOW, OR OPTIONAL PARTS.
  4. ● SHOWS THE CENTER OF GRAVITY.

SPECIFICATIONS						
Model			4JH110			4JH80
Continuous Power(ISO 8665)		kW/min <sup>-1</sup>	73.6 / 3101			53.5 / 3101
Fuel Stop Power	Propeller shaft(ISO 8665)	kW/min <sup>-1</sup>	---			---
	Crankshaft(ISO 8665)	kW/min <sup>-1</sup>	80.9 / 3200			58.8 / 3200
Reduction ratio			2.15	2.70	---	2.15
Dry mass	kg		Approx.254			
Direction of Rotation at Output Coupling (Forward)			Clockwise			

SCALE	NAME	MODEL
1:10	OUTLINE	4JH110-ZF30M
DATE	ORIGINAL DRAWING NUMBER	REVISION
17-3-2014	B2-29677-0051	0