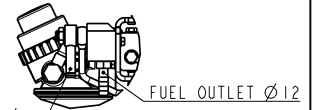
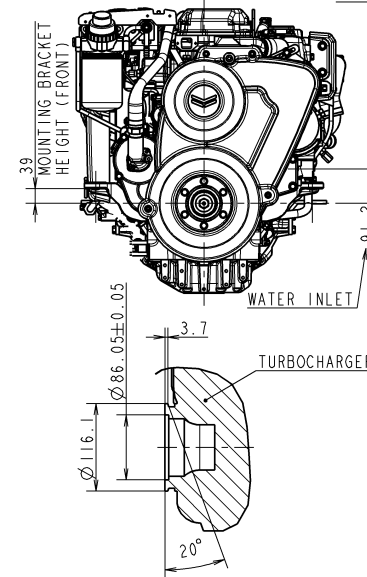
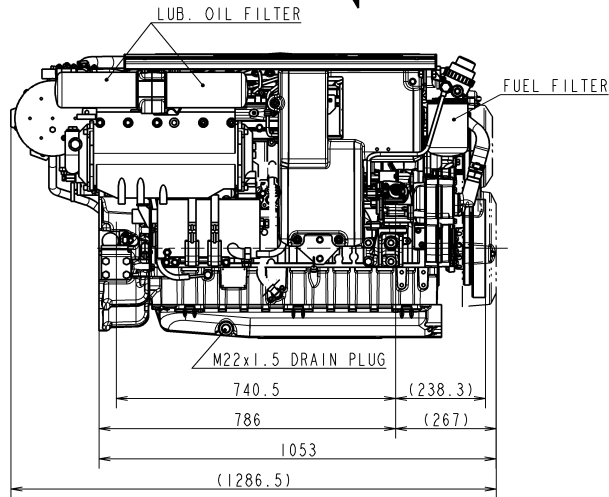
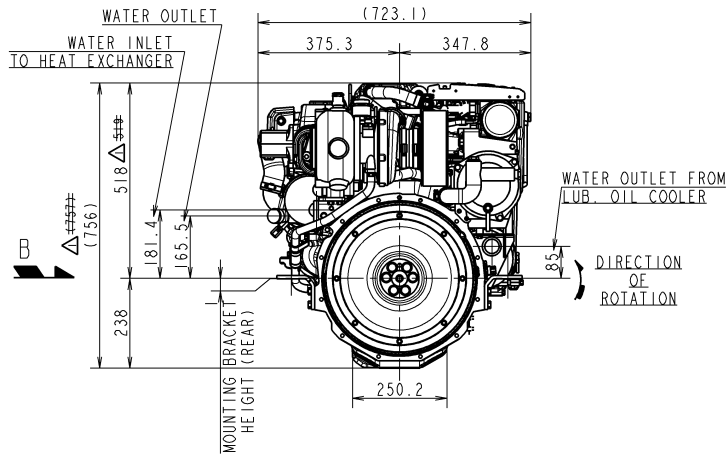
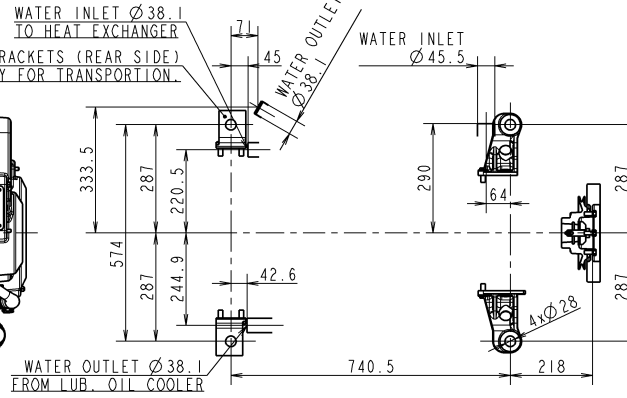
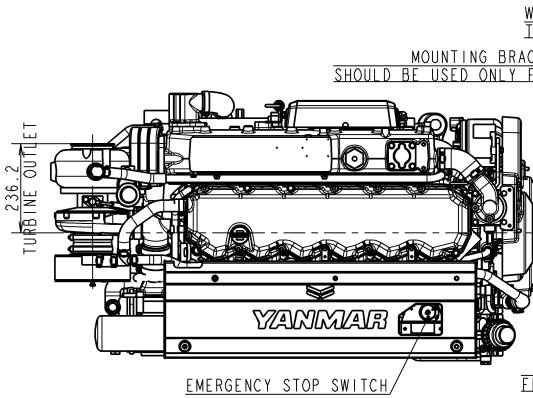
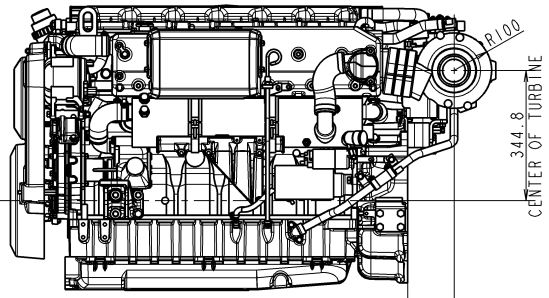
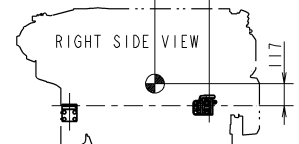
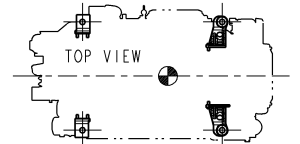


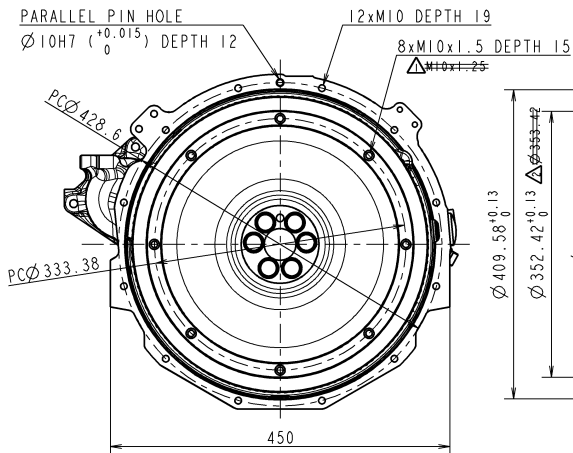
C A R E E R



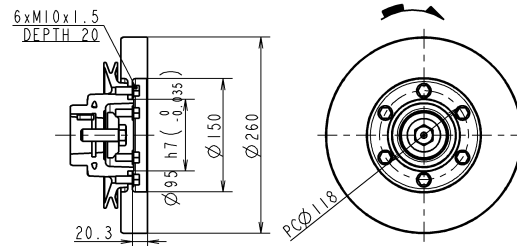
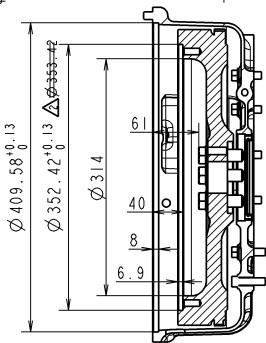
DETAIL OF FUEL INLET/OUTLET SCALE 1:5



CENTER OF GRAVITY SCALE 1:20



DETAIL OF FLYWHEEL OUTPUT SIDE SCALE 1:5



DETAIL OF FRONT COUPLING SCALE 1:5

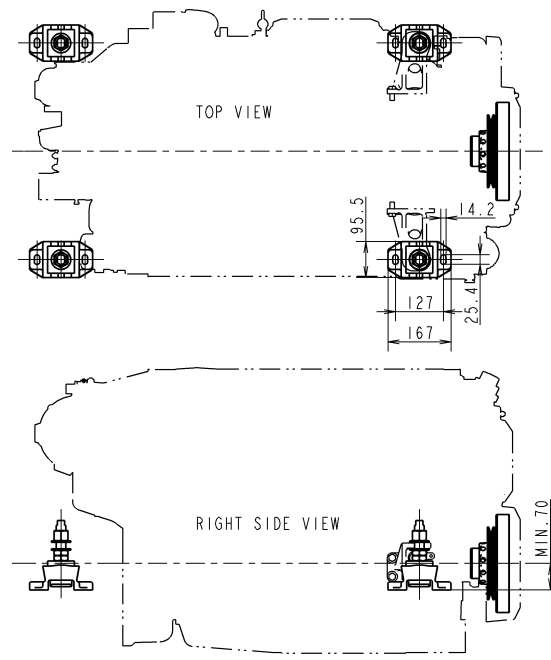
DETAIL OF TURBINE OUTLET SCALE 1:5

MANAGER
川口
豊産用
FOR MASS PRODUCTION

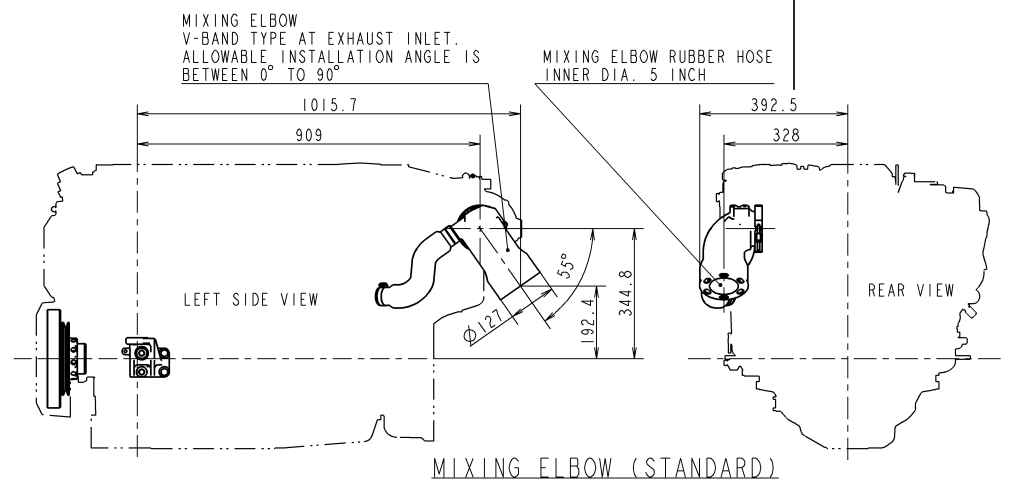
SEC. MANAGER 志賀	MODEL 6LY440	6LY400	SCALE 1:10 (1:5)
CHECKED 志賀	SPECIALIST	QTY -	MATERIAL
DESIGNED 廣松	DRAWN 大橋	DATE: Y.M.D 2015.06.15	NAME 6LY440/400 OUTLINE(1/2)
<p>YANMAR</p> <p>YANMAR CO., LTD. DEVELOPMENT DIV.</p>			<p>CODE B2-19581-0010</p> <p>REV. 1 REV. 2 REV. 3</p> <p>DRAWN SIZE A2</p>

CAREER

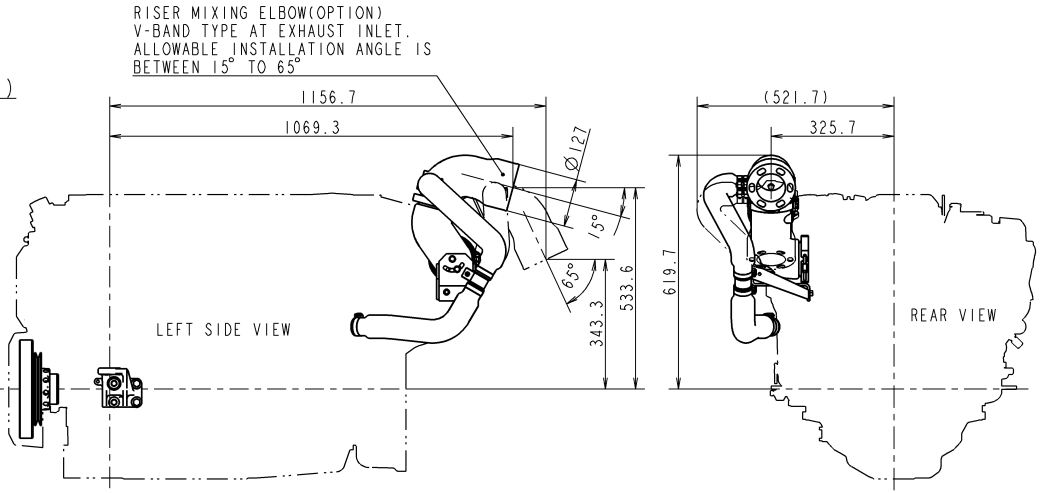
1/2 参照



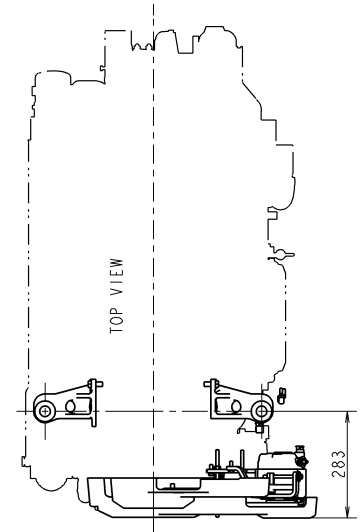
BARRY CONTROL ISOLATION MOUNTS (OPTION)



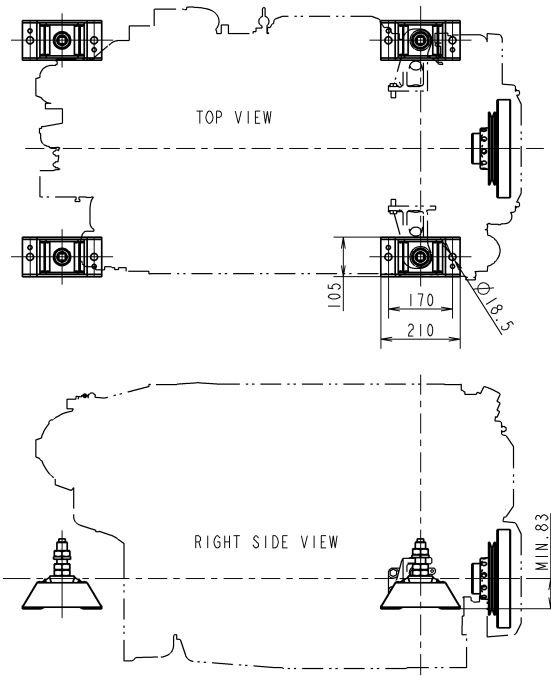
MIXING ELBOW (STANDARD)



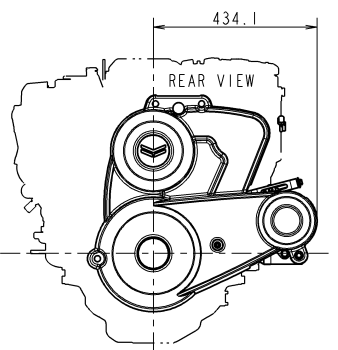
RISER MIXING (OPTION)



2ND ALTERNATOR (OPTION)



YT-15 ISOLATION MOUNTS (OPTION)



3D-CAD

NOTICE

GEOMETRICAL TOLERANCE

KIND OF TOLERANCE SYMBOL

SYMBOLS

ISO 1101

ISO 1102

ISO 1103

ISO 1104

ISO 1105

ISO 1106

ISO 1107

ISO 1108

ISO 1109

ISO 1110

ISO 1111

ISO 1112

ISO 1113

ISO 1114

ISO 1115

ISO 1116

ISO 1117

ISO 1118

ISO 1119

ISO 1120

ISO 1121

ISO 1122

ISO 1123

ISO 1124

ISO 1125

ISO 1126

ISO 1127

ISO 1128

ISO 1129

ISO 1130

ISO 1131

ISO 1132

ISO 1133

ISO 1134

ISO 1135

ISO 1136

ISO 1137

ISO 1138

ISO 1139

ISO 1140

ISO 1141

ISO 1142

ISO 1143

ISO 1144

ISO 1145

ISO 1146

ISO 1147

ISO 1148

ISO 1149

ISO 1150

ISO 1151

ISO 1152

ISO 1153

ISO 1154

ISO 1155

ISO 1156

ISO 1157

ISO 1158

ISO 1159

ISO 1160

ISO 1161

ISO 1162

ISO 1163

ISO 1164

ISO 1165

ISO 1166

ISO 1167

ISO 1168

ISO 1169

ISO 1170

ISO 1171

ISO 1172

ISO 1173

ISO 1174

ISO 1175

ISO 1176

ISO 1177

ISO 1178

ISO 1179

ISO 1180

ISO 1181

ISO 1182

ISO 1183

ISO 1184

ISO 1185

ISO 1186

ISO 1187

ISO 1188

ISO 1189

ISO 1190

ISO 1191

ISO 1192

ISO 1193

ISO 1194

ISO 1195

ISO 1196

ISO 1197

ISO 1198

ISO 1199

ISO 1200

MANAGER
山口

量産用
FOR MASS PRODUCTION

SEC. MANAGER 志賀	MODEL 6LY440	6LY400	SCALE 1:10 (1:5)
CHECKED 志賀	SPECIALIST	QTY -	MATERIAL
DESIGNED 廣松	DRAWN 大橋	DATE: Y.M.D 2015.06.15	NAME 6LY440/400 OUTLINE(2/2)
YANMAR YANMAR CO., LTD. DEVELOPMENT DIV.			CODE B2-19581-0010 DRAW SIZE A2