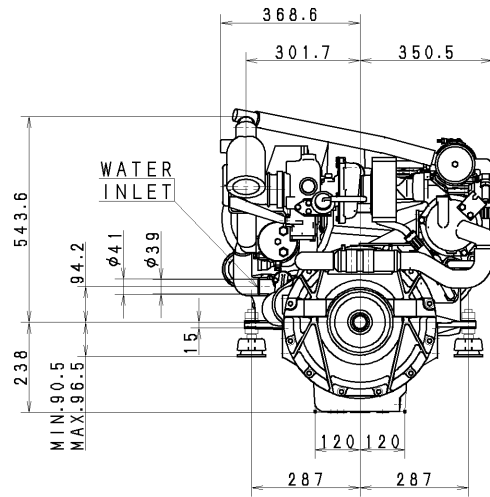
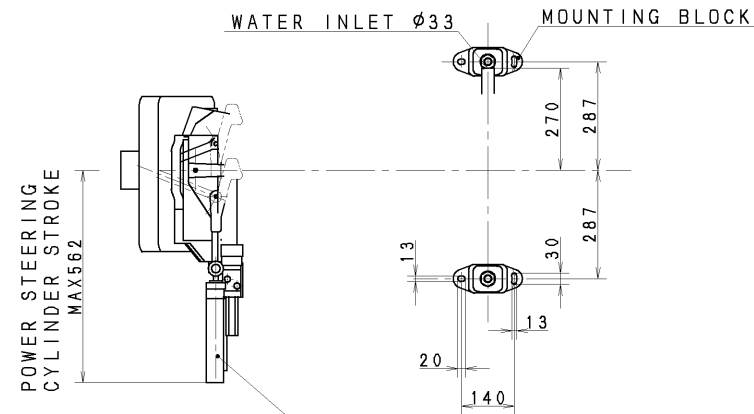


面来歴  
CAREER

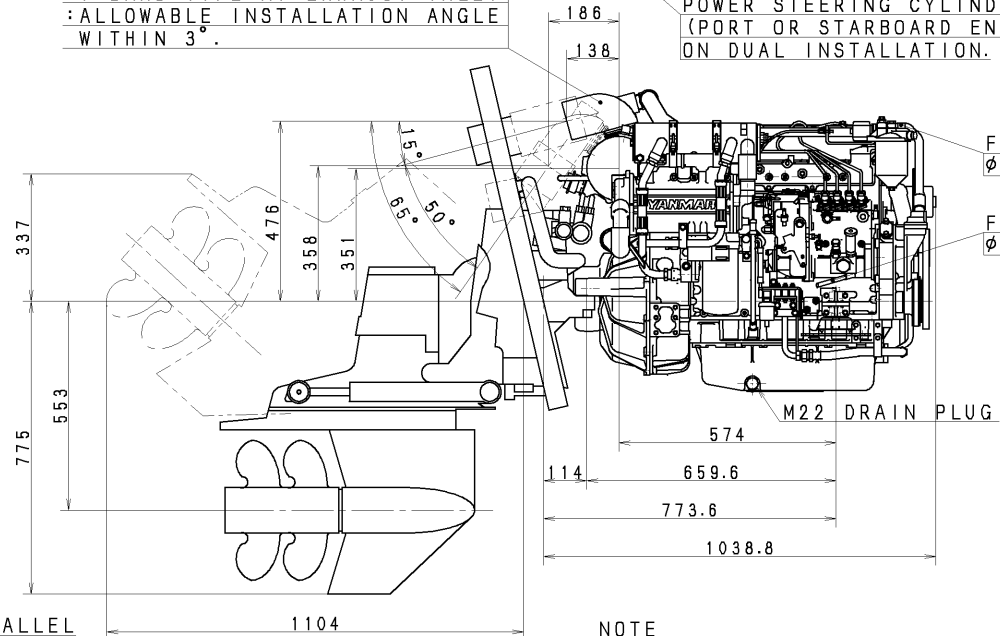
(4. Apr. '02)  
ADD 4LHA-STZP AND CHANGE  
THE DRAWING CODE



MIXING ELBOW  
:V-BAND TYPE AT EXHAUST INLET.  
:ALLOWABLE INSTALLATION ANGLE  
WITHIN 3°.



POWER STEERING CYLINDER  
(PORT OR STARBOARD ENGINE)  
ON DUAL INSTALLATION.



NOTE  
DWG. SHOWS MOUNTING BLOCKS  
AT COMPRESSED HEIGHT.  
(COMPRESSED BY APPROX. 3MM)

NOTE:

- INNER AND OUTER TRANSOM SURFACE MUST BE PARALLEL WITHIN 3mm IN AREA OF COVERED BY TRANSOM PLATES AND REMAIN WITHIN TRANSOM THICKNESS LIMITS.
- DWG. SHOWS MOUNTING BLOCKS AT COMPRESSED HEIGHT. (COMPRESSED BY APPROX. 3MM)
- AREA COVERED BY GIMBAL HOUSING ASSEMBLY MUST BE FLAT TO WITHIN 1.6mm
- AREA COVERED BY INNER TRANSOM PLATE MUST BE FLAT TO WITHIN 3.2mm.
- TRANSOM ANGLE : 13° to 16°
- DWG. SHOWS MOUNTING BLOCKS AT COMPRESSED HEIGHT. (FRONT:COMPRESSED BY APPROX. 3MM REAR:COMPRESSED BY APPROX. 0.6MM)

SPECIFICATIONS			
MODEL		4LHA-STZE	4LHA-STZP
CONT. RAITING OUTPUT (FLYWHEEL OUTPUT)	kW/rpm HP/rpm	140/3100 190/3100	
MAX OUTPUT (FLYWHEEL OUTPUT)	kW/rpm HP/rpm	169/3300	177/3300 240/3300
DRY WEIGHT (EXCEPT DRIVE, TRANSOM)	kg (lb)	APPROX. 385 (849)	
REDUCTION RATIO (BRAVO 3)		1.36	1.50 1.65 1.81 2.00 2.20
DIRECTION OF PROP. SHAFT ROTATION		COUNTER-CLOCKWISE	

主 席 S. Kishida	長 SEC. MANAGER S. Nakamura	機 種 MODEL 4LHA - STZE STZP	尺 度 SCALE 1 : 10
検 査 CHECKED H. Higashimura	責任担当者 SPECIALIST T. Nakamura, S. Nishimura	個 数 QTY. -	材 質 MATERIAL -
設 計 DESIGNED T. Nakamura	製 図 DRAWN S. Nishimura	年 月 日 DATE 2002 4. 5	名 称 NAME 4LHA-STZE 4LHA-STZP X BRAVO3 OUTLINE OUTLINE
YANMAR DIESEL ENGINE CO., LTD. POWER SYSTEM OPERATIONS DIV.			図 面 サ イ ズ (C) A2

汎 用  
工 開  
発 部

部 長  
G. MANAGER

技 部 長  
MANAGER

Y. Yamashita