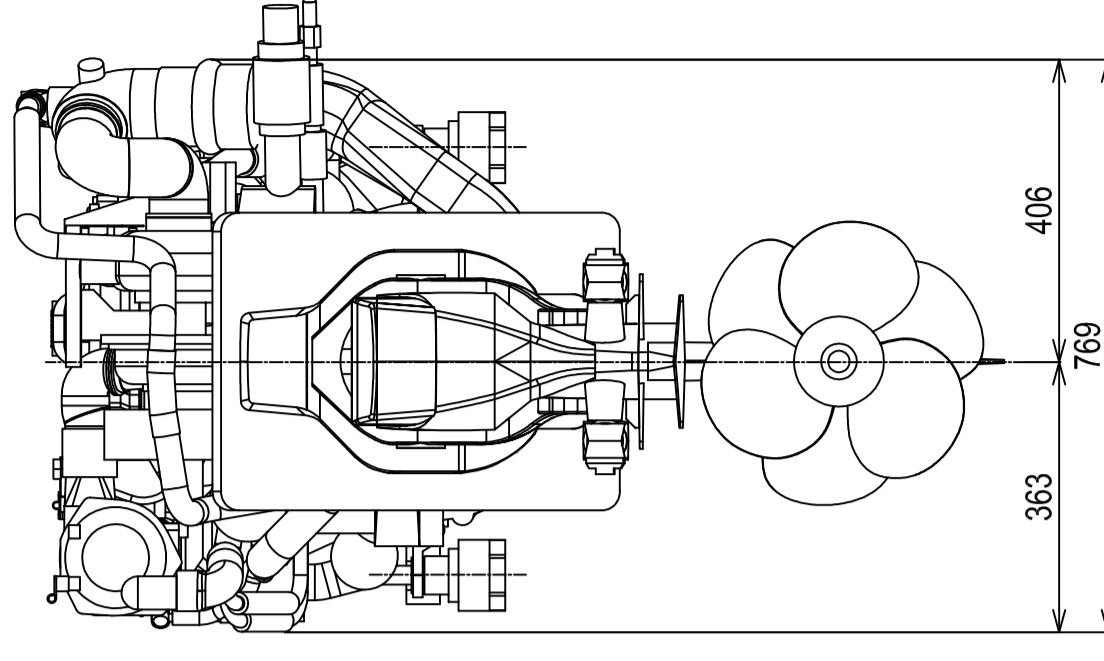
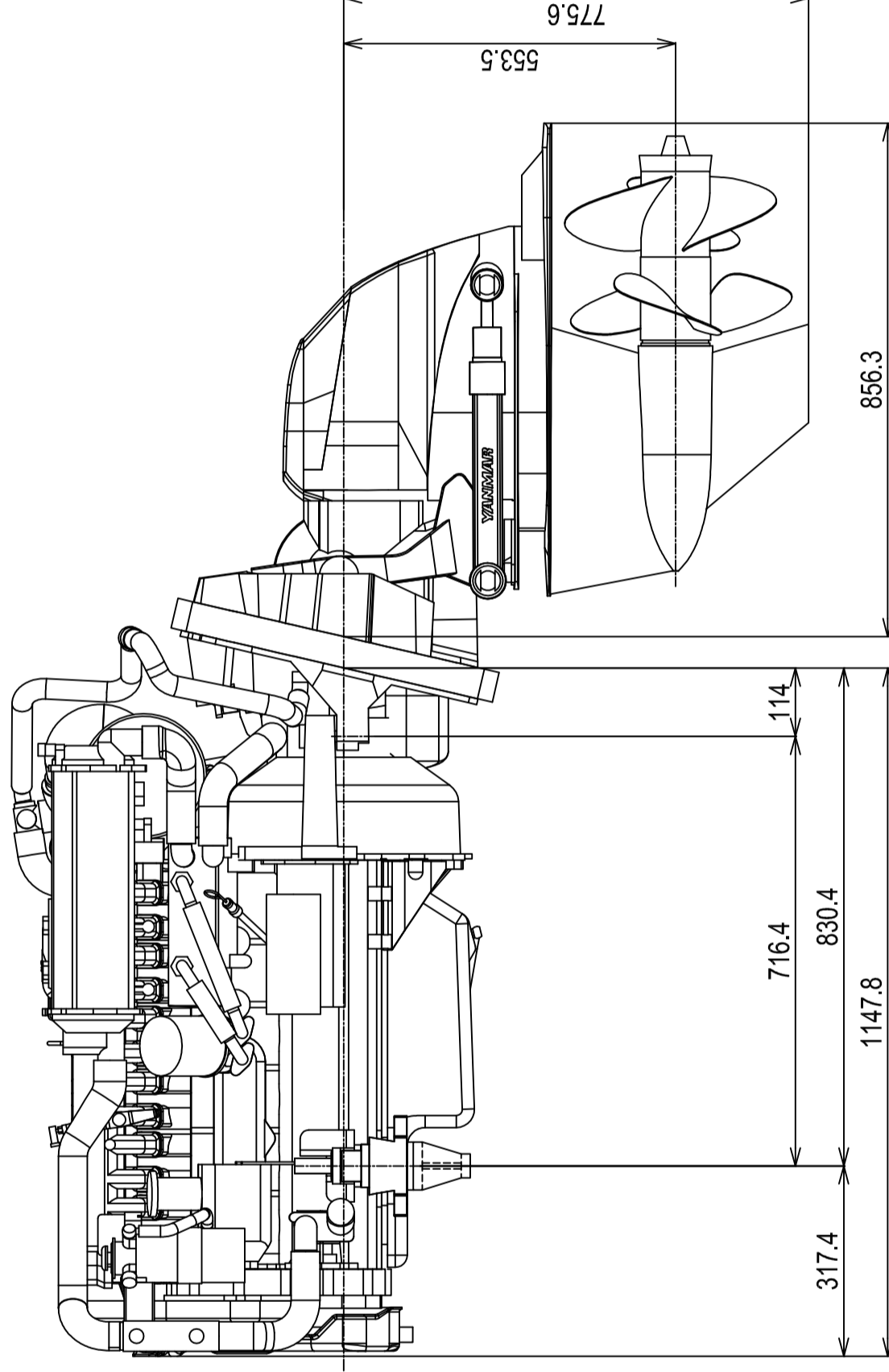
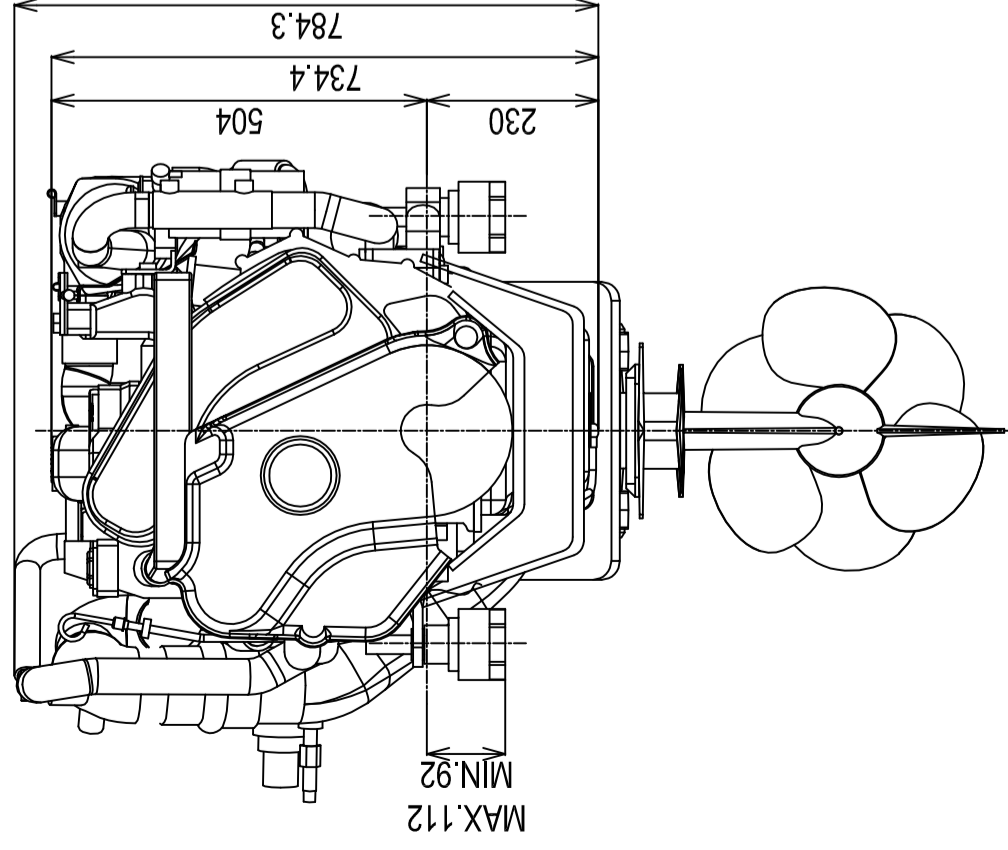
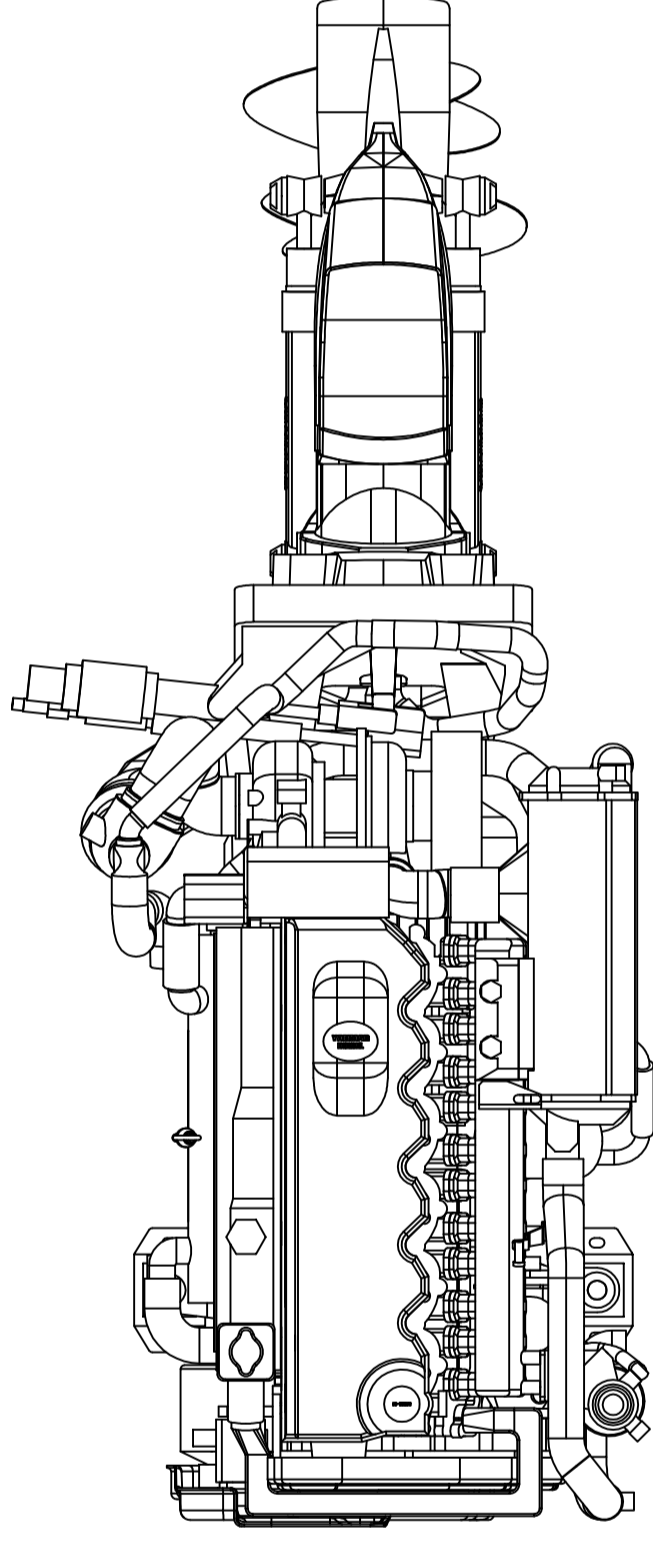
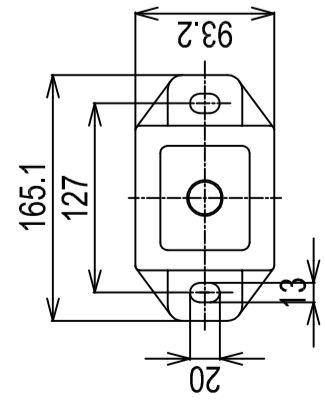
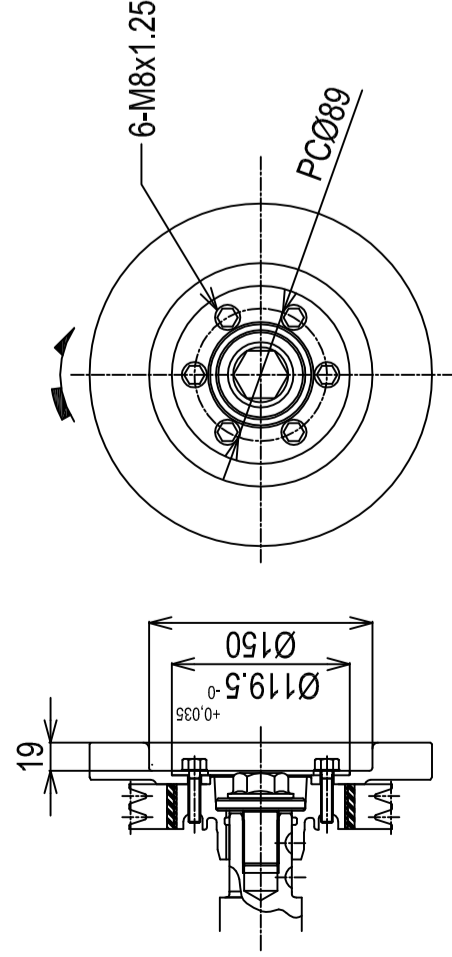


DETAIL OF MOUNTING BLOCK



DIRECTION OF ROTATION



DETAIL OF PULLEY
VIEWED FROM A

NOTE:

1. DWG SHOWS MOUNTING BLOCKS AT ORIGINAL HEIGHT.
2. ENGINE WEIGHT WILL COMPRESS BLOCKS BY 4MM/APPROX.
3. MOUNTING BLOCKS ARE EQUIPPED FOR STANDARD ACCESSORY.
4. FOR ADDITIONAL INSTALLATION INFORMATION AND SPECIFICATIONS PLEASE REFER TO THE YANMAR ENGINE INSTALLATION MANUAL
5. ADDED : front mounting foot support for high speed application (BVo; 26-08-2011)

Series:	LP	Engine:	6LPA-STZP2xZT350	Release:	R2008-01
Scale:	1:10	Date:	01-12-08	Dimensions:	mm

